



Three Phase Cast Resin Dry-type Distribution Transformer

---Pole mounted type

---SC(B)10 series



Catalogue

2007/9

Zhejiang Farady Electric Co., Ltd.

ISO9001&ISO14001 certificated enterprise

++++General

Farady Electric manufacture a complete range of three phase distribution transformers, including oil-immersed type & cast resin dry-type transformer, we always designed with increased margins of safety and reliability, and meet the following standard:

IEC60076, ANSI/IEEE C57.12.00, C57.12.20, C57.12.90, BS171, SABS 780 etc

++++Application

SC(B)10 series three phase resin-cast dry-type distribution transformer are in conformity with standard of IEC76, with features of low loss, compact and light weight, low noise level, clamp-proof, anti-fouling, high mechanical strength, flame resisting, strong overload ability and low partial discharge quality, they are application to power transmission and distribution system, hotel, restaurant, commercial building, stadiums, chemical plants, stations, airports, offshore drilling platforms, especially to heavy load centers and places with special fire protection requirements

++++Mainly rating, types & capacity:

Three phase,

Two windings or three windings

On-load or no-load voltage tapping changer

Natural cooling or force air

10-2500kVA

++++Service condition

a) Suitable for indoor or outdoor application

b) Air temperature:

Maximum temperature: +40 °C; Minimum temperature: -30 °C

c) Humidity:

Monthly average humidity 95%; Daily average humidity 90% .

d) Altitude above sea level:

Maximum installation altitude: 2000m.

e) Max wind speed: 35M/s

f) Ambient air not apparently polluted by corrosive and flammable gas, vapor etc.

g) No frequent violent shake

Note: * Beyond those services condition should enquiry to manufacturer technical dept during order

++++High reliability feature:

● **Insulating strength:**

Through the method of finite elements analysis, analyze the interior electric field on difference transformer for the purpose that there is no over-centralized area of field density in the interior of transformer, meanwhile, by the adoption of insulating material and optimizing electrode shape, make no partial discharge design, and through the effective analysis on transformer wave process, ensure that the transformer can withstand various over-load such as, lightning impulse over-load.

● **Short circuit strength:**

after the analysis of leakage magnetic field for transformer, the electromagnetic force would be controlled in the structure design, and together with equipment and suitable materials, the requirement of short circuit strength can be sufficiently satisfied. our design method has been ensured through short circuit test on products at different high voltage levels, as well as our products had strong short circuit strength

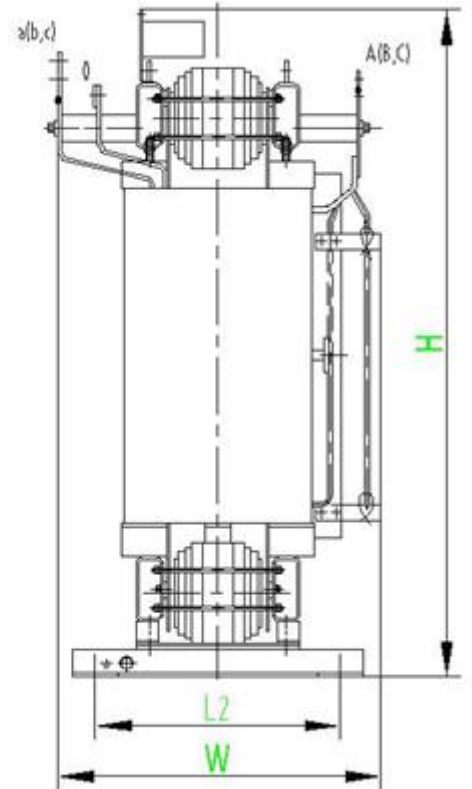
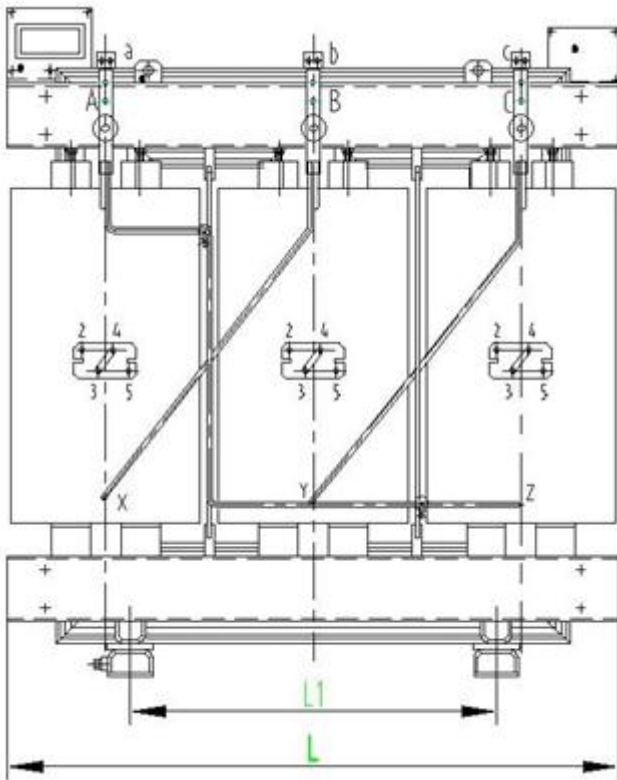
● **Temperature rise:**

the temperature distribution can't get effectual control may result in the aging of transformer insulation. There is no over-centralized temperature area in the transformer interior and the insulation life has been ensured through the analysis of oil flow and temperature field in transformers

● **Low loss:**

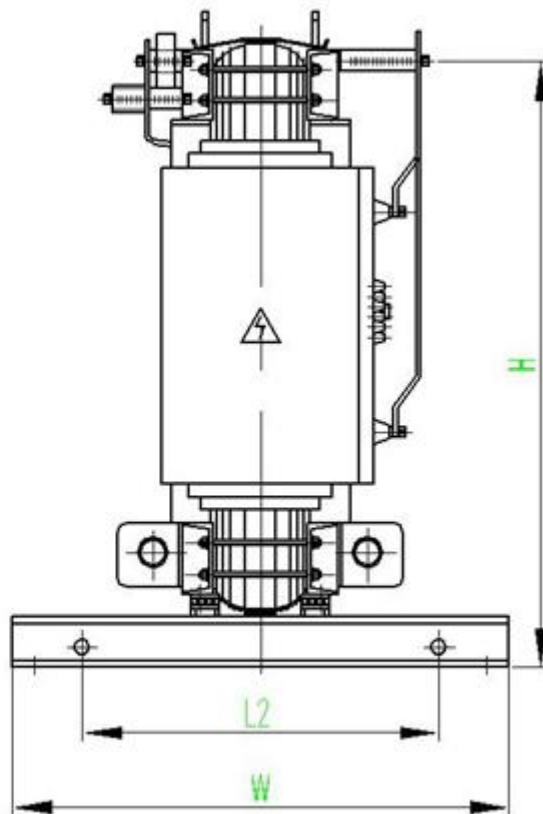
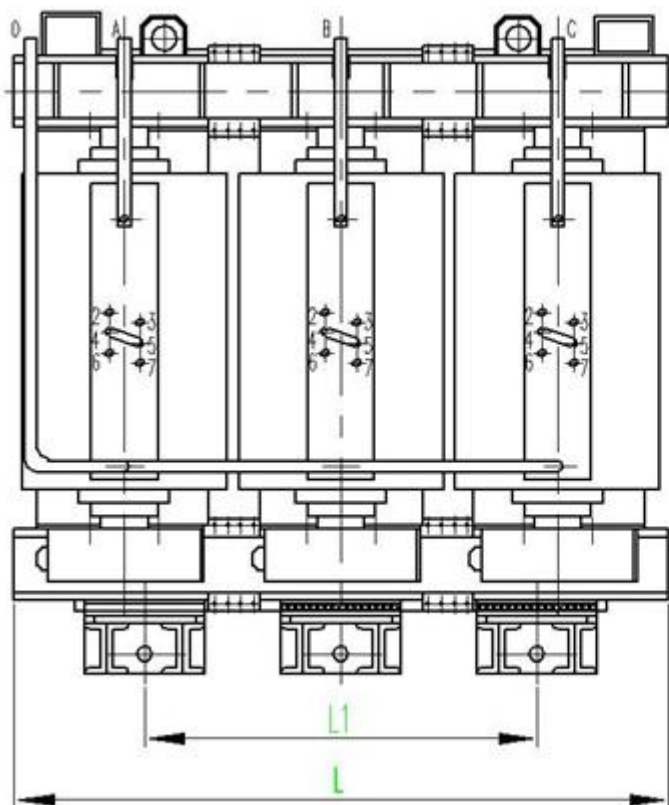
the transformer has relatively low losses through the optimized design, the detailed analysis of leakage magnetic field and losses distribution, the maintain ace cost of the customer has been lowered through the customer-oriented design

++++Overall size and weight



Type	Voltage combination			Vector group	Loss(W)		Impedance %	Dimension (L*W*H) mm	Weight (kg)
	Primary (KV)	Tapping range	Secondary (KV)		No Load loss	Full load loss			
SC(B)10-30/10	6 6.3 6.6 10 10.5 11 13.2 13.8 15	±2x2.5%	0.4 or other	Yyn0 or Dyn11	190	700	4.0	680*400*686	300
SC(B)10-50/10					270	990		690*400*686	360
SC(B)10-80/10					360	1370		730*450*796	500
SC(B)10-100/10					400	1570		730*500*816	600
SC(B)10-125/10					470	1840		780*600*950	700
SC(B)10-160/10					540	2120		950*650*1124	850
SC(B)10-200/10					620	2520		990*650*1164	950
SC(B)10-250/10					720	2750		1020*650*1207	1100
SC(B)10-315/10					880	3460		1050*750*1320	1250
SC(B)10-400/10					970	3980		1100*800*1450	1550
SC(B)10-500/10					1160	4880		1140*800*1430	1850
SC(B)10-630/10					1340	5870		1250*800*1500	1900
SC(B)10-800/10					1520	6950		1330*800*1540	2200
SC(B)10-1000/10					1760	8120		1400*960*1640	2750
SC(B)10-1250/10					2090	9690		1450*960*1690	3300
SC(B)10-1600/10					2450	11730		1560*960*1930	4000
SC(B)10-2000/10					3320	14450		1680*960*1930	4800
SC(B)10-2500/10					3600	17170		1720*1010*1950	5500
						6.0			

Note: *The above overall size and weight is for reference only, Farady technical dept have right to modify without prior notify



Type	Voltage combination			Vector group	Loss(W)		Impedance %	Dimension (L*W*H) mm	Weight (kg)
	Primary (KV)	Tapping range	Secondary (KV)		No Load loss	Full load loss			
SC(B)10-30/20	20 22 24	±2x2.5%	0.4 or other	Yyn0 or Dyn11	220	800	6.0	980*480*750	435
SC(B)10-50/20					340	1240		1100*480*780	522
SC(B)10-80/20					410	1500		1160*500*800	725
SC(B)10-100/20					540	2000		1200*510*850	870
SC(B)10-125/20					580	2100		1200*600*900	1015
SC(B)10-160/20					680	2470		1220*650*1124	1233
SC(B)10-200/20					740	2950		1250*650*1164	1378
SC(B)10-250/20					800	3200		1280*670*1207	1595
SC(B)10-315/20					970	4090		1300*750*1400	1813
SC(B)10-400/20					1150	4850		1320*800*1450	2248
SC(B)10-500/20					1350	5800		1350*800*1490	2683
SC(B)10-630/20					1530	6840		1360*800*1530	2755
SC(B)10-800/20					1760	8270		1380*800*1580	3190
SC(B)10-1000/20					2070	9790		1430*960*1680	3988
SC(B)10-1250/20					2390	11540		1470*960*1720	4785
SC(B)10-1600/20					2790	13870		1560*960*1800	5800
SC(B)10-2000/20					3240	16390		1790*960*1930	6960
SC(B)10-2500/20	3870	19380	1800*1010*1950	7975					

Copyright 2014 Farady Electric

Zhejiang Farady Electric Co.,Ltd

TEL:0086-577-61722510/61777258

Fax:0086-577-61777257

[Http://www.farady.cn](http://www.farady.cn)

Email:info@farady.cn

Add:Su'ao,Liushi,Yueqing,Zhejiang,P.R.China, 325604